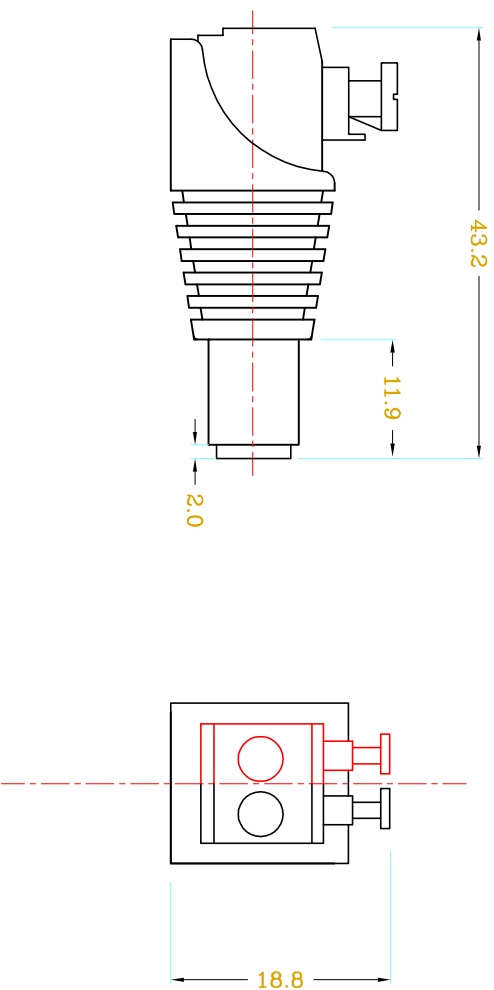


Version	Explain	Date
A		2015.10.17



Material

Housing: 0A66 UL94V-0
 Pin header: Brass, Tin-Plated
 Screww: Steel. ZincPlated
 Electrical
 Rated Voltage: 300V
 Rated current: 10A
 Contact resistance: 20mΩ
 Withstanding Voltage: 2000V/Min
 Insulation Resistance: 5000mΩ/DC1000V
 Mechanical&operating ambient
 Wire Range : 26-14AWG
 Strip length: 6-7mm
 Temp. Range: -40° C/+105° C
 AX soldering: +250° C 5Sec

general tolerance	CUSTOMER:	CUST NO:		
X	H01	PRODUCT NO:	PART NO:	JR53X
X.X	H005	Adaptador tipo jack de 3.5 mm		
X.XX	H0005	hembra con terminales de presión		
X.XXX	H00002	DRAWN BY	DRAWING SIZE	
		CHECKED BY	UNIT	mm
		APPROVED BY	PAGE	1 OF 1
		SORTING NO.		

POWER LINE